

HOMELESSNESS

COUNCIL PROJECTS IN THE DIOCESES OF
KINGSTON

2019





'**Lord**, when did we **see you hungry** and feed **you**, or thirsty and give **you** something to drink? When did we **see you** a stranger and invite **you** in, or needing clothes and clothe **you**? When did we **see you** sick or in prison and go to visit **you**?'

MATTHEW 25:31-40

COMMUNITY LIFE STANDING COMMITTEE HANDBOOK

“Where ever there are people in need of food and drink, clothing, housing, medicine, employment, education; where ever (people) lack the facilities necessary for living a truly human life or are afflicted with serious distress or illness or suffer exile or imprisonment, there Christian charity should seek them out and find them, console them with great solicitude, and help them with appropriate relief. This obligation is imposed above all upon every prosperous nation and person.”

(Decree on the Apostolate of the Laity)

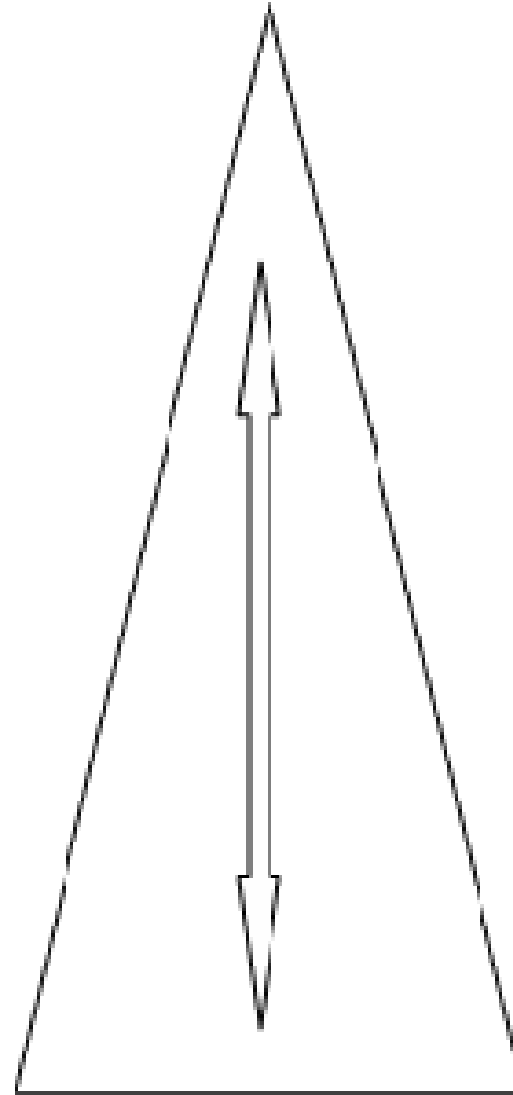
Catholic social justice teaches:

- **Option for the Poor and Vulnerable**

This world is shaped by the division between growing prosperity for some and poverty for others. The Catholic Church proclaims that the basic moral test of a society is how the most vulnerable members are faring. Our society is marred by a deepening division between rich and poor.

- From the Last Judgment reading (Mt 25:31-46), all people are instructed by God to put the needs of the poor and vulnerable first.

DEFINING HOMELESSNESS



Absolute homelessness

Hidden homelessness

Relative homelessness

REPORTED CAUSES OF HOMELESSNESS

- poverty
- unemployment
- lack of affordable housing
- poor physical or mental health
- drug and alcohol abuse
- gambling
- family and relationship breakdown
- domestic violence
- physical and/or sexual abuse.

All these factors can cause a person to become homeless. They can also be one of the reasons why a person remains homeless. For example, drug and alcohol abuse can be both a cause and a result of

- domestic violence
- mental illness or addictions
- family instability

Facts & Figures

An estimated **235,000** Canadians experience homelessness each year.

35,000 Canadians experience homelessness on any given night.

50,000+ Canadians experience hidden homelessness, such as couch surfing, sleeping in a car, or other precarious housing.

20% of the homeless population are young people aged 16-24.

[Raising the Roof](#)

A total of 152 people were encountered on the night of April 11, 2018 who meet the criteria of the Canadian definition of homelessness. Of these individuals, 98 agreed to complete brief surveys in order to capture demographic and experiential data.

55% are women; Kingston has a much higher rate of female homelessness than other Canadian cities

86% are sheltered

48% were found in emergency or domestic violence shelters

40% were living in transitional housing

5% were staying at a motel, and 7% were couch surfing

183 days: The median length of time people spent homeless within the past year

188 days: The average length of time people spent homeless within the past year

31 years old: The average age of people experiencing homelessness

50% are chronically homeless. One half of respondents have been homeless for 6 months or more in the past year

Canadian Observatory on Homelessness

“Canadian Definition of Homelessness” Results of the Urban Kingston 2018 Point-in-Time Count Page | 7

- 16% are episodically homeless. Almost one sixth of respondents have been homeless 3 or more times in the past year
- 78% receive income assistance; OW and ODSP are the main sources of income for people experiencing homelessness
- 49% say they don't have enough income to afford housing
- 44% say rents are too high to be affordable
- 41% say housing is not available
- 12 families were found homeless, including 19 children

Titles from Media Regarding Poverty

- [Fundraising for new Brock Mission men's shelter in Peterborough more than halfway complete](#)
- [Dalhousie commerce students spend '5 Days' on street to raise awareness for youth homelessness](#)
- **Big decline in poverty rate offers good news to a government that desperately needs some. In total, about 622,000 children lived below the poverty line in 2017, down about 18 per cent from 2016**
- **Andrew Coyne: Maybe now we can finally say it out loud — poverty is in decline**
- **A vast media-academic industry had grown up around the notion that poverty was steadily getting worse — and could not get better, absent radical changes in policy.**
Pssst. Can I let you in on a little secret? Keep it under your hat, but — the poverty rate has fallen again. In fact, it's at a new all-time low.

WARMTH AND COMFORT PROJECT

OCTOBER 1 – DECEMBER 31, 2018

Diocese	Pairs of Socks	Jars of Peanut Butter	Boxes crackers
Alexandria-Cornwall	4,323	0	0
Hamilton	10,523	180	149
Hearst	281	52	56
Kingston	946	116	119
London	452	198	201
Ottawa	466	74	56
Pembroke	1,978	59	61
Peterborough	524	105	113
St. Catharines	785	41	15
SSM	2,349	20	19
Thunder Bay	525	65	69
Timmins	360	62	61
Toronto	13,953	180	1,977
Total	37,465	2,812	2,896

STATISTICS FROM THE 2017/2018 ANNUAL REPORT OF COMMUNITY LIFE CHAIRS STATES THAT THE FOLLOWING ORGANIZATIONS WERE SUPPORTED WITH REGARD TO HOMELESSNESS:

	Financial Support		Prayerful support		Volunteer support		Total	
Affordable housing initiative	10.00%	13.00%	70.00%	50.00%	20.00%	38.00%	10	8
Anti-poverty foundation or campaign	20.00%	25.00%	50.00%	42.00%	30.00%	33.00%	10	12
Before, during or after school lunch programme	40.00%	17.00%	10.00%	25.00%	50.00%	58.00%	10	12
Emergency shelter for the homeless	29.41%	55.00%	41.18%	36.00%	29.41%	9.00%	17	11
Emergency shelter for domestic abuse	41.11%	67.00%	36.84%	25.00%	21.05%	8.00%	19	12
Food bank	43.48%	67.00%	21.74%	7.00%	34.78%	27.00%	46	15
Food hamper	48.00%	62.00%	16.00%	8.00%	36.00%	31.00%	25	12
Soup kitchen	40.00%	9.00%	20.00%	9.00%	40.00%	82.00%	20	11

THE WAYS IN WHICH COUNCILS SUPPORTED HOMELESS ARE:

	Had a guest speaker		Had a workshop		Provided a donation		Volunteered	
Suffering from homelessness	18.18%	33.00%	0.00%	0.00%	50.00%	53.00%	31.82%	13.00%
Suffering from poverty	15.15%	7.00%	0.00%	0.00%	50.00%	64.00%	33.33%	29.00%

St Mark's CWL in Prescott

This council collected

- 12 jars of peanut butter
- 45 pairs of socks
- 10 boxes of crackers

for local charities in need in response to the Warmth and Comfort project.

Well done ladies!



**ST ANTHONY OF PADUA IN CENTREVILLE
CWL MEMBERS AS WELL AS PARISHIONERS WERE VERY
GENEROUS SUPPORTING AN ADVENT GIVING TREE. THESE ITEMS
WERE ALL DELIVERED TO THE MORNINGSTAR MISSION IN
NAPANEE.**

96 pairs of socks, 10 jars of peanut butter, 19 boxes of granola bars, crackers and snacks along with 5 blankets, 5 scarves, 4 hats, 7 pairs of long underwear, 9 pairs of gloves and 1 bag of toiletries.



CWL members Susan Gustavel and Angela Briceland with the giving tree.



WARMTH AND COMFORT EFFORTS

QUEEN OF THE MOST HOLY ROSARY COUNCIL IN BELLEVILLE COLLECTED
201 PAIRS OF SOCKS!

CWL COUNCILS PARTNER
TOGETHER

ST PHILIP NERI PARISH IN
TOLEDO ALONG WITH ST
DENIS IN ATHENS
DONATED

60 PAIRS OF SOCKS

17 JARS OF PEANUT
BUTTER AND

21 BOXES OF CRACKERS

AS WELL AS MULTIPLE
OTHER FOOD ITEMS

THE CWL AT OUR LADY OF LOURDES IN
KINGSTON HAS CLOSE TIES WITH THE
STREET MISSION IN KINGSTON.
INSTEAD OF COLLECTING SOCKS
(THEIR SOCK DRIVE IS ALWAYS IN
JANUARY), THEY COLLECTED
TOILETRIES, ETC. TO CREATE
CHRISTMAS GIFT BAGS FOR THE
HOMELESS. THE CWL PURCHASED
DINNER VOUCHERS FOR MARTHA'S
TABLE. STUDENTS AT OUR LADY OF
LOURDES CREATED CHRISTMAS
CARDS (THE VOUCHERS WERE TAPED
INSIDE THEM).

CWL AT ST. EDWARD'S
PARISH IN WESTPORT HAS
COLLECTED 48 PAIRS OF
SOCKS, 8 BOXES OF
CRACKERS AND 9 LARGE
JARS OF PEANUT BUTTER -
SO FAR. THE BOX IS STILL AT
THE BACK OF THE CHURCH..

THE CRACKERS AND
PEANUT BUTTER WERE
TAKEN TO THE FOOD BANK

AND THE SOCKS TO ST.
EDWARD'S SCHOOL...

Holy Name of Jesus CWL Council in Kingston Mills

Members had a sock
and underwear drive
with the parish for the
local homeless and
collected over 300
items!





The CWL council of St. Charles Borromeo in Read collected 83 pairs of socks, 4 jars of peanut butter and 12 boxes of crackers.

They also collected a lot of toiletries, many hand sanitizers, mitts, hats, snacks, toothbrushes and toothpaste.

From all of these items, we made up 28 Christmas gift bags which were distributed to "homeless".

They were labelled for "man", "woman", "girl" or "boy".

ST PAUL THE APOSTLE CWL COUNCIL IN KINGSTON COLLECTED ITEMS AT
THEIR ANNUAL CHRISTMAS POTLUCK

103 PAIRS OF SOCKS
63 JARS OF PEANUT BUTTER
48 BOXES OF CRACKERS



DONATED TO
KINGSTON STREET MISSION
ST VINCENT DE PAUL (SHOWN)
IN FROM THE COLD



ALSO COLLECTED HAND & TOE
WARMERS, TOOTHBRUSHES,
TOOTHPASTE AND MANY
HANDKNIT TOUQUES



Marysville CWL at Holy Name of Mary parish collected 69 pairs of socks, 25 touques, 3 winter coats, winter boots, sheets and blankets through the help of members and parish donations.

They donated their items to Morningstar Mission in Napanee.



PERTH CWL AT ST JOHN THE BAPTIST PARISH COLLECTED 66 PAIRS OF SOCKS, 1 JAR OF PEANUT BUTTER AND CRACKERS. THEY ALSO COLLECTED TOILETRIES, MITTS AND HATS. THEY PUT THEM IN PURSES AND KNAPSACKS TO DONATE.



St. John the Baptist Council Perth

Blessing Bags were assembled by members of St John the Baptist council in Perth on Thursday, November 22nd, 2018 and will be donated to those in need.

Great job ladies!

